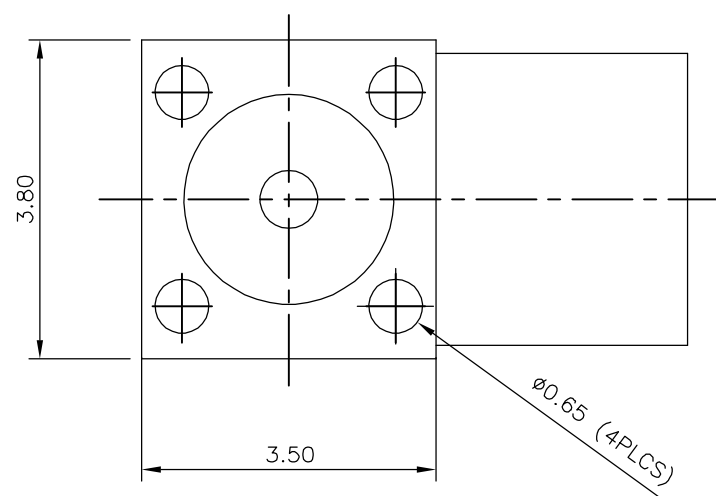
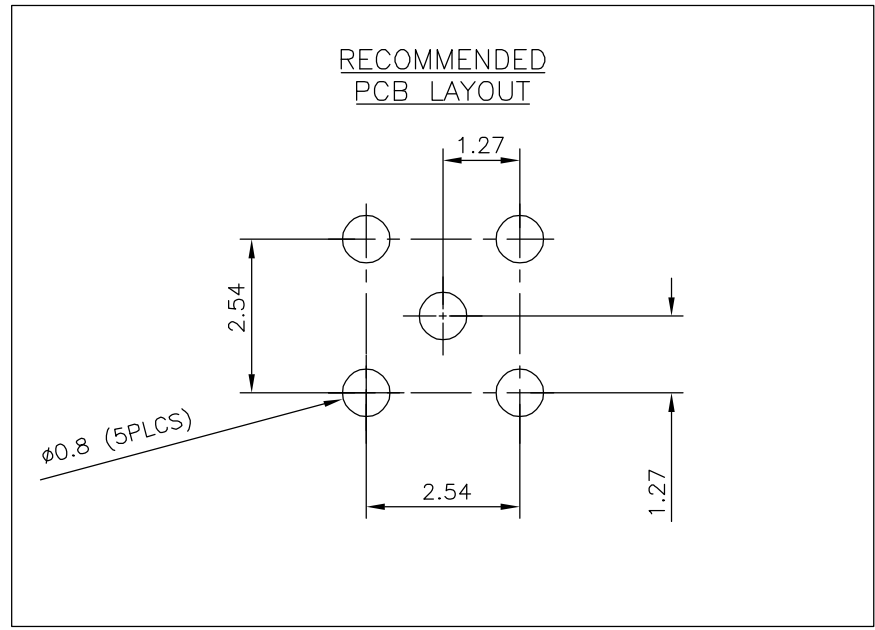
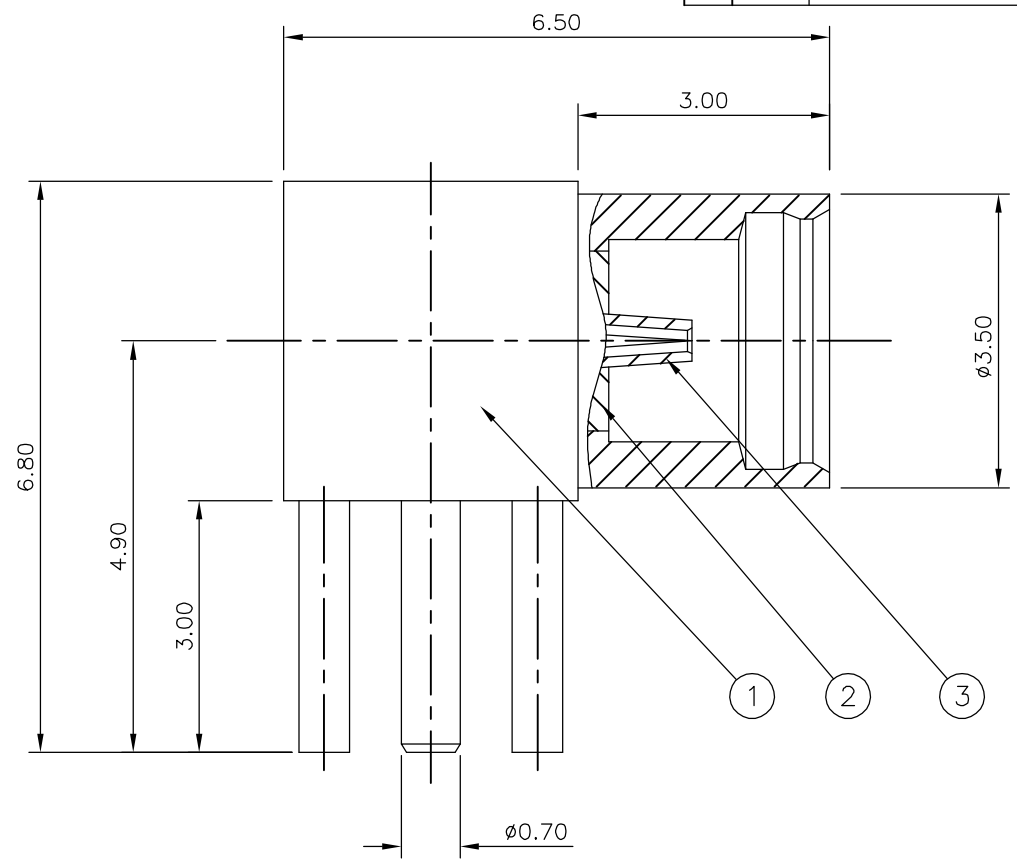


THIS DRAWING IS UNPUBLISHED. RELEASED FOR PUBLICATION NOV ,2003.
 © COPYRIGHT 2003 BY TYCO ELECTRONICS CORPORATION. ALL RIGHTS RESERVED.

LOC	DIST	REVISIONS					
E	B	P	LTR	DESCRIPTION	DATE	DWN	APVD
		D		EBD0-0226-05	13MAY05	JMS	FWK

- NOTES:
- 1 SINGLE PACK IN ACCORDANCE WITH AMP SPEC 107-3275
 - 2 50 TRAY PACK IN ACCORDANCE WITH AMP SPEC 107-3275
 - 3 Au PLATING OVER Ni PLATING OVER Cu PLATING
4. CHARACTERISTICS
- | | |
|-------------------------------|------------|
| FREQUENCY RANGE: | DC-6GHz |
| NOMINAL IMPEDANCE: | 50 OHMS |
| WORKING VOLTAGE: | 170V RMS |
| INSULATION RESISTANCE: | 1000 MOHMS |
| DIELECTRIC WITHSTAND VOLTAGE: | 500V RMS |
| CONTACT RESISTANCE: | 5.0 mOHMS |
| CENTRE CONTACT | |
5. MECHANICAL CHARACTERISTICS
- | | |
|-------------|------------|
| DURABILITY: | 500 CYCLES |
|-------------|------------|
6. FOR TECHNICAL DATA REFER TO YOUR LOCAL TYCO ELECTRONICS SALES OFFICE
7. ALL DIMENSIONS ARE NOMINAL FOR REFERENCE ONLY UNLESS OTHERWISE STATED



QTY	PLC	TRAY	MATERIAL	DESCRIPTION	ITEM
1	1		BERYLLIUM COPPER	SOCKET	3
1	1		PTFE	INSULATOR	2
1	1		BRASS	BODY	1
6--0	1--0		MATERIAL	DESCRIPTION	ITEM

THIS DRAWING IS A CONTROLLED DOCUMENT.		DWN	J.SANDWELL	12NOV03	 Tyco Electronics Corporation Stanmore, Middlesex, HA7 4RS												
DIMENSIONS: MM		CHK	S.PARLOW	12NOV03													
TOLERANCES UNLESS OTHERWISE SPECIFIED:		APVD	F.WHEELER-KING	12NOV03													
<table border="0"> <tr><td>0 PLC</td><td>± -</td></tr> <tr><td>1 PLC</td><td>± -</td></tr> <tr><td>2 PLC</td><td>± -</td></tr> <tr><td>3 PLC</td><td>± -</td></tr> <tr><td>4 PLC</td><td>± -</td></tr> <tr><td>ANGLES</td><td>± -</td></tr> </table>		0 PLC	± -	1 PLC		± -	2 PLC	± -	3 PLC	± -	4 PLC	± -	ANGLES	± -	PRODUCT SPEC	108-3462	NAME
0 PLC	± -																
1 PLC	± -																
2 PLC	± -																
3 PLC	± -																
4 PLC	± -																
ANGLES	± -																
MATERIAL	SEE TABLE	FINISH	SEE TABLE	APPLICATION SPEC	411-3280												
		WEIGHT	-	SIZE	A3												
		CUSTOMER DRAWING		CAGE CODE	00779												
				DRAWING NO	C-1634010												
				RESTRICTED TO	-												
				SCALE	NTS												
				SHEET	1 OF 1												
				REV	D												